

Level switch - high temperature**RFS-6-2****FEATURES**

- All 316 grade stainless steel
- Pressures upto 10 bar
- 200°C maximum temperature
- N/O or N/C contact
- Low specific gravity - 0.53SG

OPTIONS

- Multi-level - See DataFax 1526

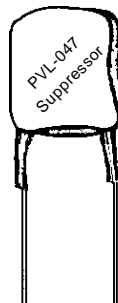
REVERSIBLE FLOAT

To change from a N/O to a N/C contact, simply remove the circlip and reverse the float on the stem.

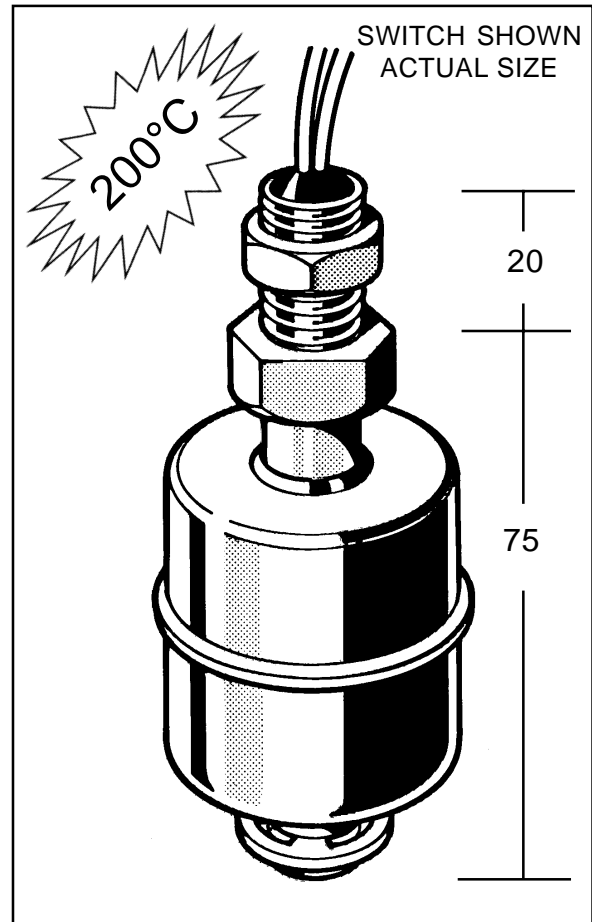
REED SWITCH PROTECTION

When a reed-switch is used on an inductive load e.g. a relay - the current surge which flows back to the reed-switch (back EMF) can cause the reed switch to fail.

Fitting a suppressor either "in-line" or "across" the relay coil can help protect the reed-switch.

**SUPPRESSORS**

PVL 047-1 12 & 24Vdc = £1.60 each
 PVL 047-2 110Vac = £1.60 each
 PVL 047-3 240Vac = £2.20 each

**OEM Price**

RFS-6-2 = £48.33 each

Quantity discounts?
 phone for details

Maximum voltage	240Vac	Float material	316 stainless steel
Reed switch rating	50VA	Stem material	316 stainless steel
Maximum current	0.5A (resistive)	Float dimensions	50dia x 48mm
Maximum pressure & temp	10 bar & 200°C	Float bouyancy	0.53 SG
Thread	3/8" BSP x 20mm L	Circlip material	316 stainless steel

PRESSURE-VACUUM-LEVEL LTD

Unit 9, Lexden Lodge Industrial Estate, Jarvis Brook,
 Crowborough, East Sussex, TN6 2EG U.K.

Tel: +44(0)1892 66 44 99 Fax: +44(0)1892 66 36 90

See the Cat at: www.pvl.co.uk

PVL
Switched on to Industry