
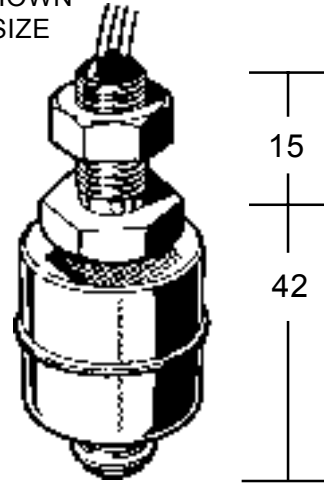


Level switch - 316 stainless steel**RFS-2-2****FEATURES**

- All 316 grade stainless steel
- Pressures up to 10 bar
- 120°C maximum temperature
- N/O or N/C contact
- 1/8" BSP Thread with nut
- 220Vac/50VA

OPTIONS

- Side entry version - DataFax 1512
- Multi-level version - DataFax 1526
-  (Explosion proof) - DataFax 1527

SWITCH SHOWN
ACTUAL SIZE**REVERSIBLE FLOAT**

To change from a N/O to a N/C contact, simply remove the circlip and reverse the float on the stem.

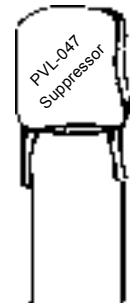
OEM Prices
RFS-2-2 = £12.97each

Quantity discounts?
phone for details

REED SWITCH PROTECTION

When a reed-switch is used on an inductive load e.g. a relay - the current surge which flows back to the reed-switch (back EMF) can cause the reed switch to fail.

Fitting a suppressor either "in-line" or "across" the relay coil can help protect the reed-switch.

**SUPPRESSORS**

- PVL 047-1 12 & 24Vdc = £1.60 each
- PVL 047-2 110Vac = £1.60 each
- PVL 047-3 240Vac = £2.20 each

Maximum voltage	240Vac	Float material	316 stainless steel
Reed switch rating	50VA	Stem material	316 stainless steel
Maximum current	0.5A (resistive)	Float dimensions	28dia x 27mm
Maximum pressure & temp	10 bar & 120°C	Float bouyancy	0.75SG
Thread type & length	1/8" BSP x 15mm	Circlip material	316 stainless steel

PRESSURE-VACUUM-LEVEL LTD

Unit 9, Lexden Lodge Industrial Estate, Jarvis Brook,
Crowborough, East Sussex, TN6 2NQ U.K.

Tel: +44(0)1892 66 44 99 Fax: +44(0)1892 66 36 90

Web: www.pvl.co.uk Email: info@pvl.co.uk

PVL
Switched on to Industry